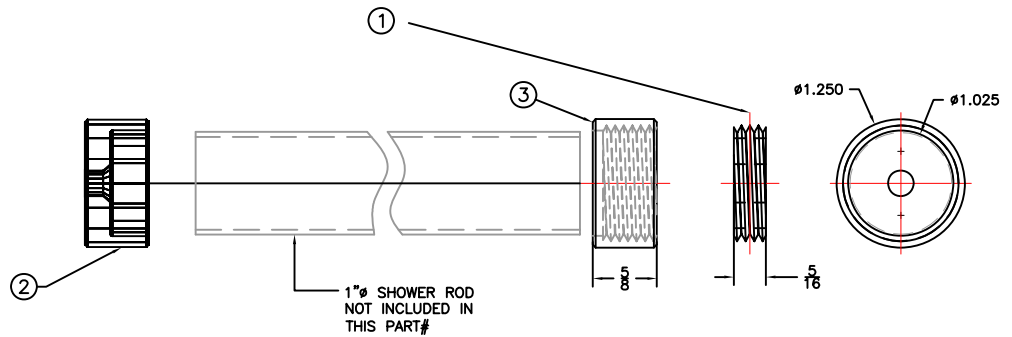
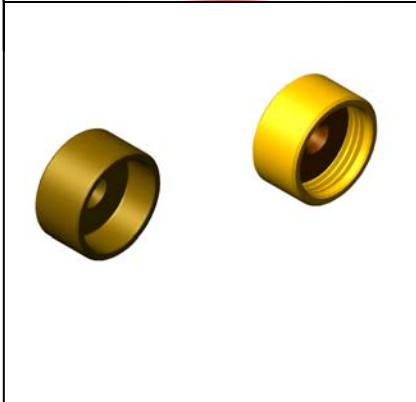




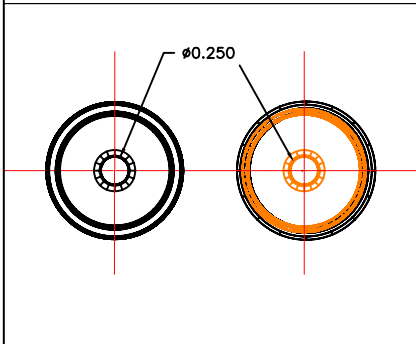
Technical Data

B-4360-XX

SHOWER ROD FLANGE, CONCEALED MOUNT COLLAR.



- Item 1 Mounting Plate (1)
- Item 2 One pc. wall mount flange (1)
- Item 3 Collar Flange (1)



NOTE: SHOWER ROD IS NOT INCLUDED, SHOWN FOR ASSEMBLY REFERENCE

- FINISH CODES: -XX
- BC BRIGHT CHROME
 - SC SATIN CHROME
 - BB BRIGHT BRASS
 - SB SATIN BRASS
 - PC POWDER COAT- SPECIFY COLOR

Construction:

MOUNTING PLATE: SOLID BRASS WITH (1) $\frac{1}{4}$ " MOUNTING HOLE, THREADED TO RECEIVE COLLAR FLANGE.
 COLLAR FLANGE: BRASS TUBE, THREADED TO MATCH MOUNTING PLATE.
 ONE PC. WALL MOUNT FLANGE: SOLID BRASS WITH (1) $\frac{1}{4}$ " HOLE.

Operation:

HOLDS A 1"Ø STRAIGHT SHOWER ROD (NOT INCLUDED) ONCE INSTALLED.

Installation:

MARK AND INSTALL THE ONE PC. WALL FLANGE USING THE (1) MOUNTING HOLE PROVIDED.
 MARK AND INSTALL COLLAR FLANGE WITH MOUNTING PLATE TO OPPOSITE WALL AS IN STEP I, MAKING SURE THAT SHOWER ROD WILL BE LEVEL (DO NOT INSTALL SHOWER ROD AT THIS TIME).
 SLIDE ONE END OF SHOWER ROD INTO THE MOUNTED ONE PC. WALL FLANGE, SLIDE COLLAR ONTO OTHER END OF SHOWER ROD. LINE UP WITH OTHER MOUNTING PLATE AND THREAD ON COLLAR.

NOTE: WHEN MEASURING FOR SHOWER ROD LENGTH, SUBTRACT $\frac{5}{8}$ " FROM THE WALL DIM. TO ALLOW FOR THE MOUNTING PLATES INSIDE THE COLLAR FLANGE.

CAUTION: FLANGES ARE ONLY AS STRONG AS THE ANCHORING DEVICES AND THE WALL ON WHICH IT IS MOUNTED TO.

Guide Specification:

ALL BRASS CONSTRUCTION
 HOLDS 1"Ø STRAIGHT SHOWER ROD (NOT INCLUDED)
 CEILING SUPPORT MAY BE REQUIRED ON LONG SPANS.
 WALL FASTENERS ARE NOT INCLUDED.

The manufacturer reserves the right to make changes in design and material without formal notice and without incurring obligation

© Copyright 2005
 Brey-Krause Manufacturing

Brey-Krause Manufacturing
 1209 West Lehigh Street, Bethlehem, PA 18018
 Phone: 610.867.1401 Fax: 610.866.1433
 www.breykrause.com